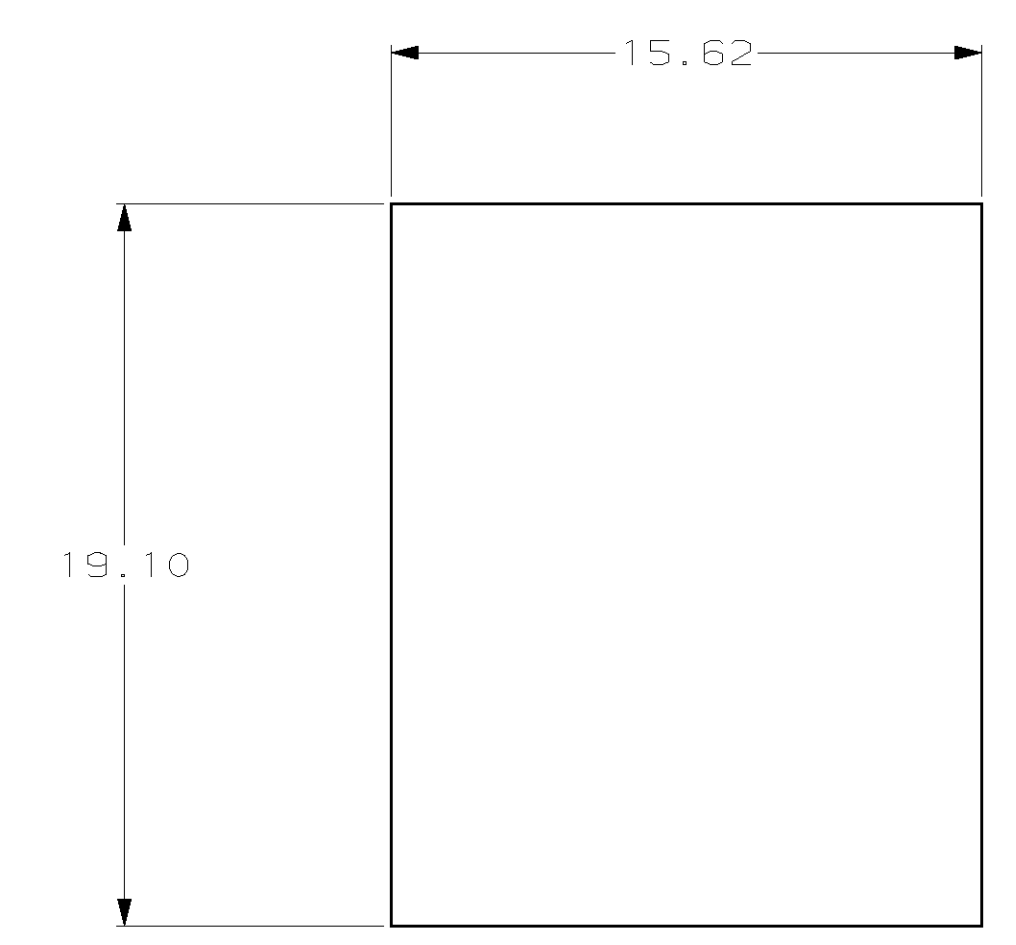
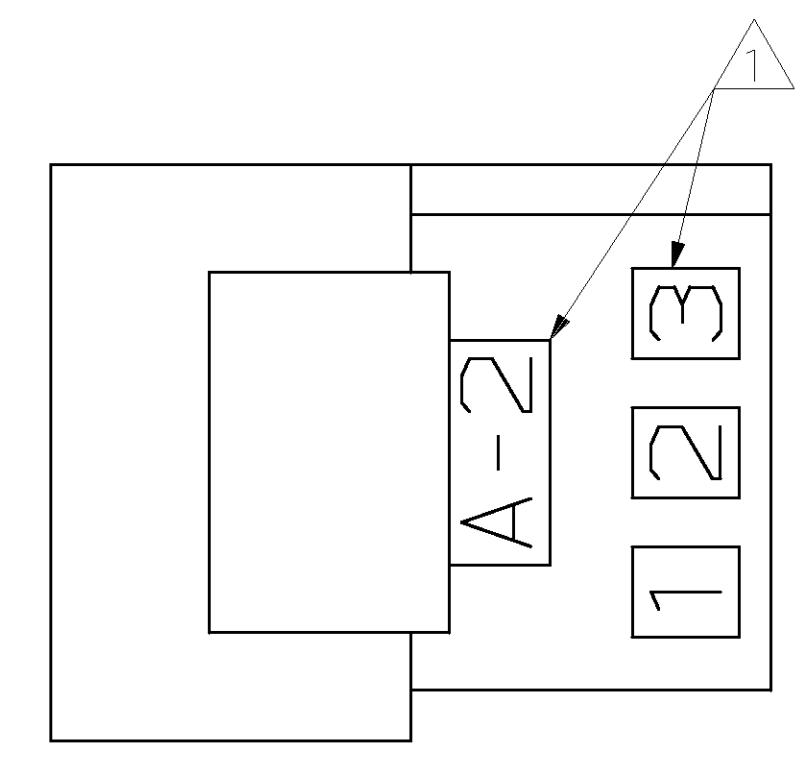
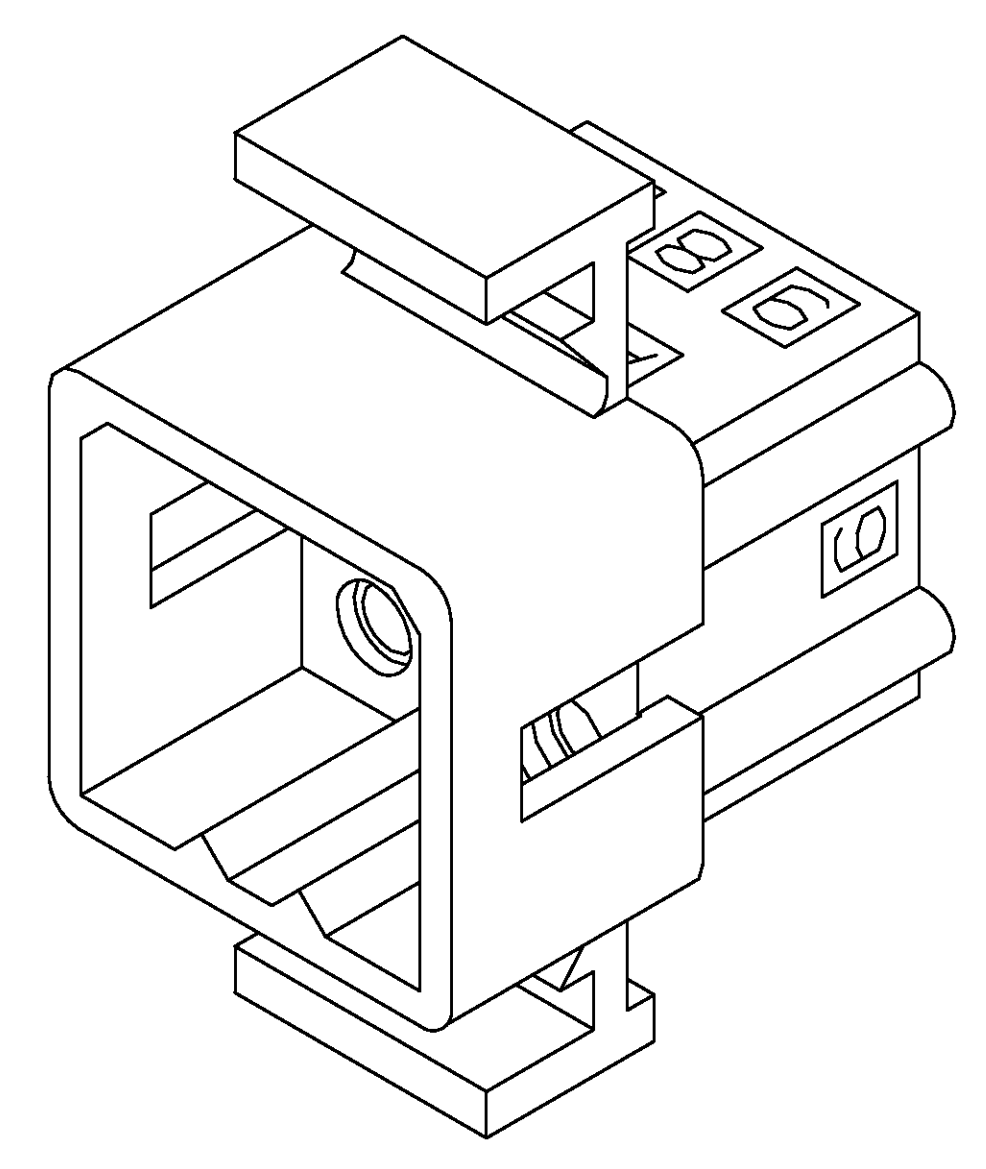
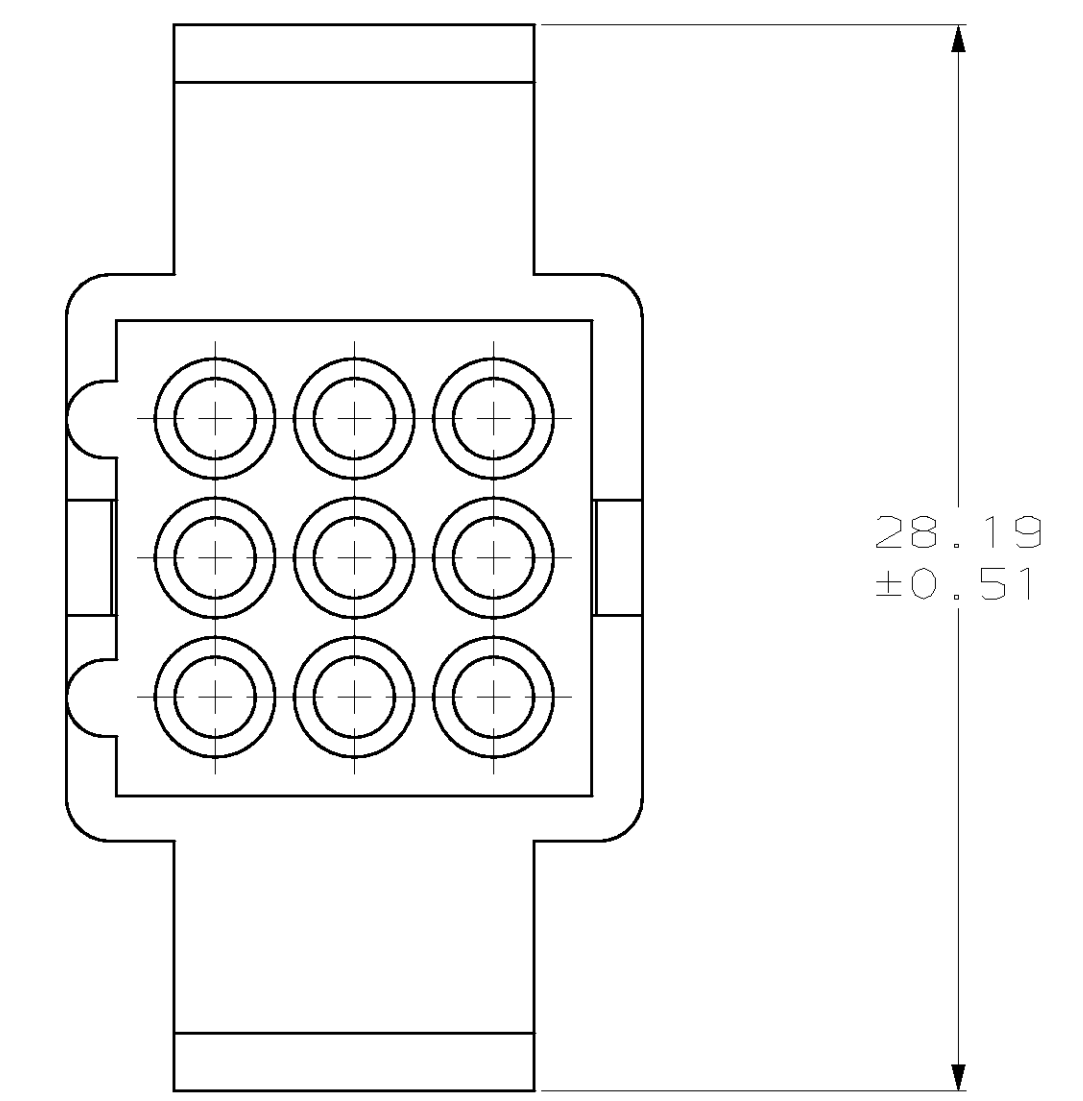
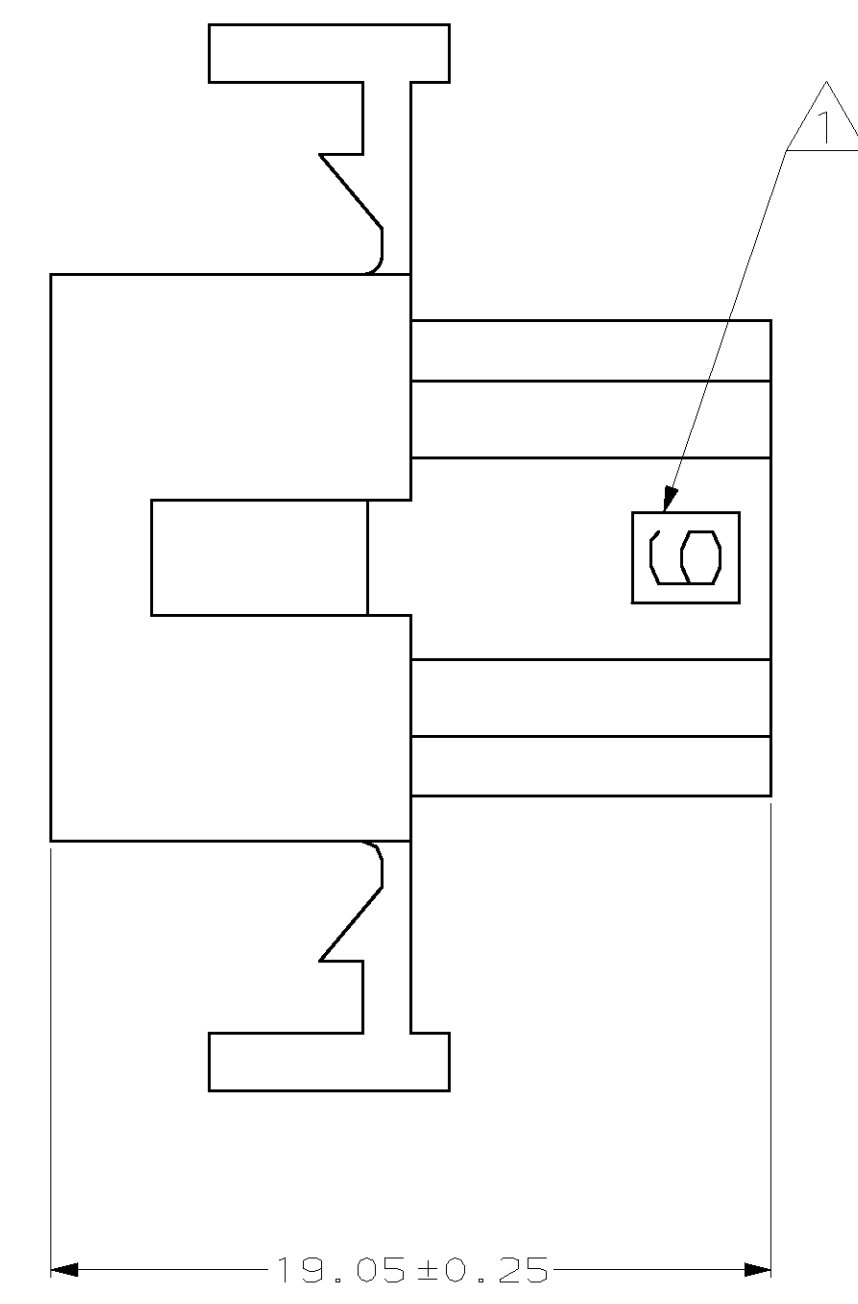
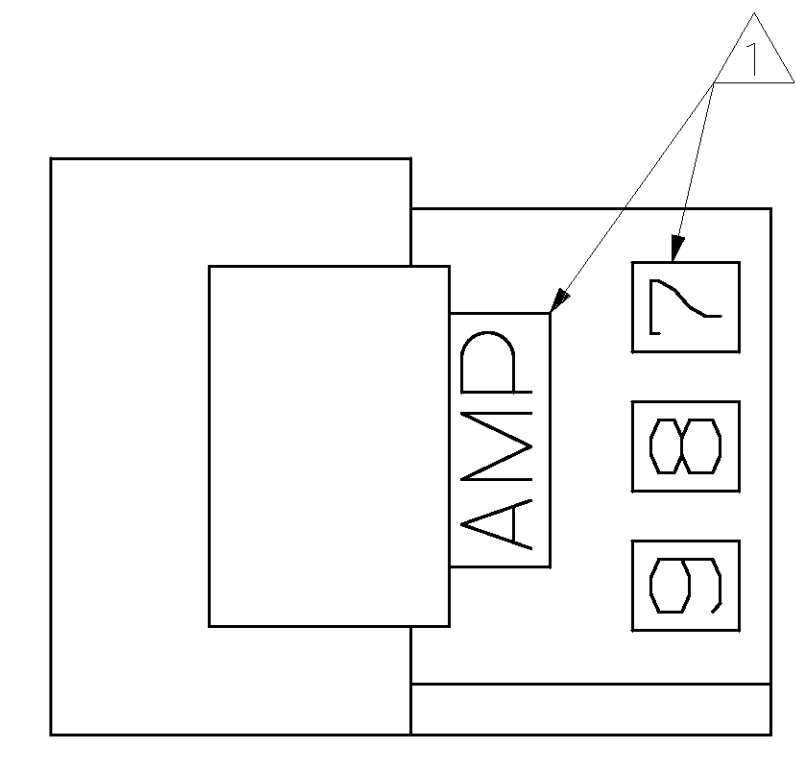
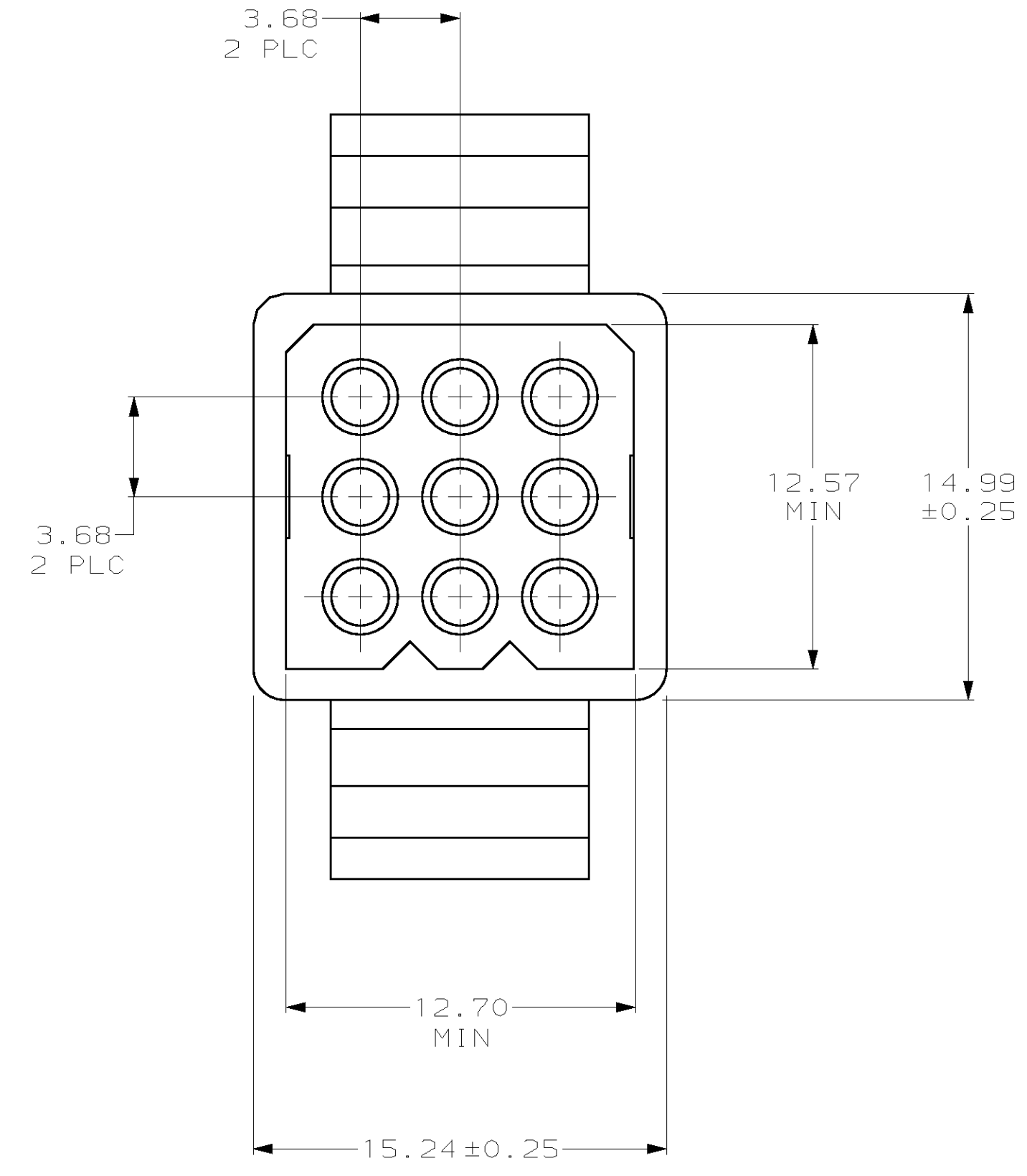
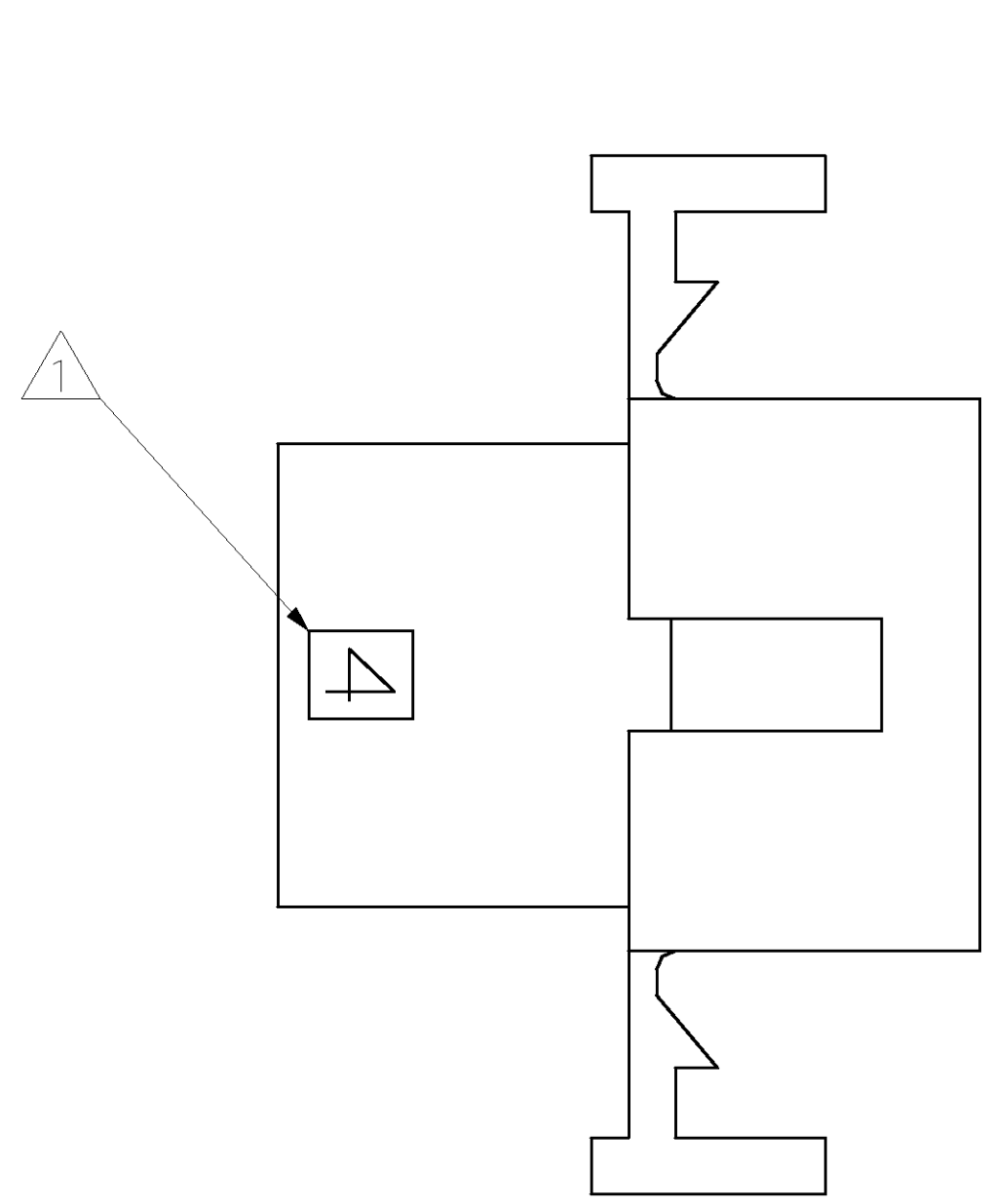


| LOC | QTY | REV | DATE | BY | APPV |
|-----|-----|-----|------|----|------|
| CM | 53 | | | | |

| REVISIONS | | | | | |
|-----------|---------------------------------|----------|----|------|--|
| REV | DESCRIPTION | DATE | BY | APPV | |
| C | REV & REDWN PER EC 0L30-0214-97 | 10-20-97 | KW | RS | |

AMP LOGO AND CIRCUIT NUMBERS LOCATED APPROXIMATELY AS SHOWN.



RECOMMENDED CUT OUT FOR 1.52 MAX THICK PANEL

770426-1
PART NUMBER

| MM | IN | MM | IN |
|-------|------|-------|-------|
| 12.57 | .495 | 28.19 | 1.110 |
| 3.68 | .145 | 19.10 | .752 |
| 1.58 | .062 | 19.05 | .750 |
| 1.52 | .060 | 15.62 | .615 |
| 0.51 | .020 | 15.24 | .600 |
| 0.25 | .010 | 14.99 | .590 |
| 0.13 | .005 | 12.70 | .500 |
| MM | IN | MM | IN |

CONVERSION TABLE

3-DIMENSIONAL MODEL NTS

METRIC

| | | | |
|--|--|--|---|
| THIS DRAWING IS A CONTROLLED DOCUMENT. | | DWN: K. WHITAKER 10-20-97 CHK: R. SWING 10-20-97 APVD: J. CORLE 10-20-97 | AMP Incorporated Harrisburg, PA 17105-3608 |
| DIMENSIONS: mm | TOLERANCES UNLESS OTHERWISE SPECIFIED: 9 PLC ±. 8 PLC ±. 2 PLC ±0.13 3 PLC ±. 4 PLC ±. ANGLES ±. | PRODUCT SPEC: - APPLICATION SPEC: - HEIGHT: - | NAME: PLUG, PANEL MOUNT, 9 CIRCUIT, .062 PIN AND SOCKET SIZE: A1 SCALE CODE: C DRAWING NO: 00779 CUSTOMER DRAWING: 770426 |
| MATERIAL: NYLON, JL 94V-2, NATURAL | | FINISH: - | RESTRICTED TO: - SCALE: 5:1 SHEET: 1 OF 1 REV: C |